

MECHANICAL DIMENSIONS, TYPE 2RM



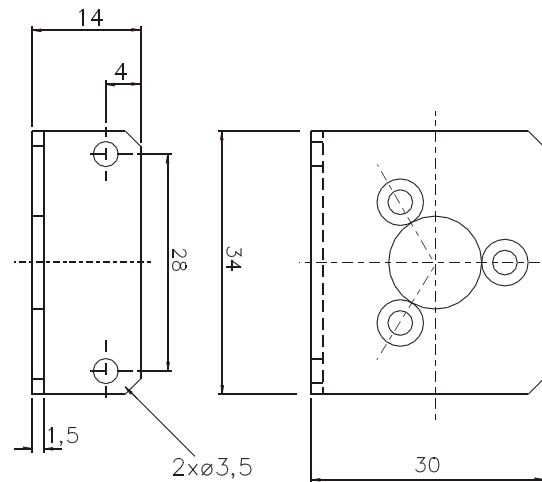
2RM



2RM-IP65

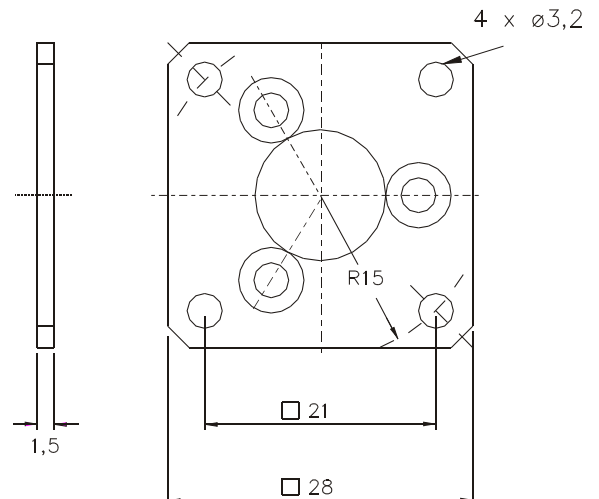
Part no. 80146459.

Angular flange - For encoder type : 2RM
(Screws for mounting flange on encoder included)



Part no. 80145066

Standard flange - For encoder type : 2RM
(Screws for mounting flange on encoder included)

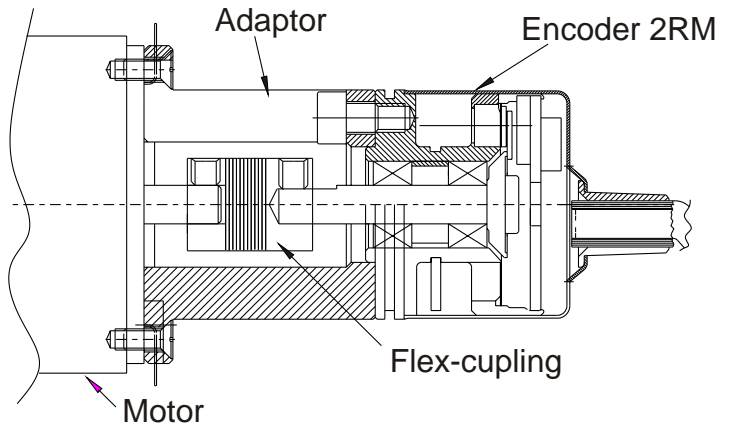


CHARACTERISTICS; For montage on motor or other unit.

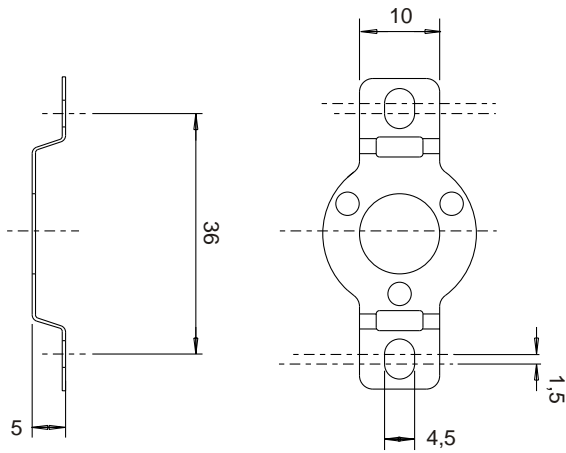
Spring coupling and adaptor for encoder type 2RM

For use as spring with or without plate direct on motor or other unit

Material : AISI 301 (*Inox spring steel*)



Part no.: 80147027



(Screws for mounting spring on encoder included)

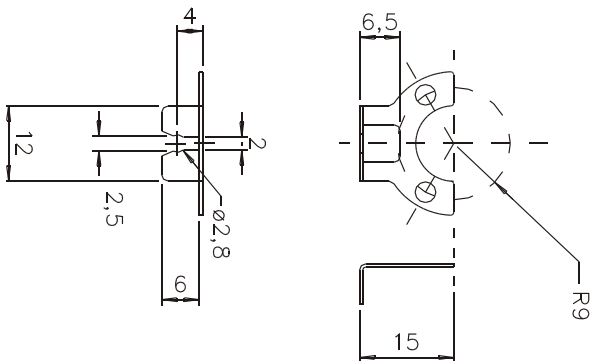
Spring for encoder type 2RM

Material: 0,2 mm AISI 301 (*Inox spring steel*)

Fits on motor

Dunkermotor G63

Part no.: 80146758



(Screws for mounting spring on encoder included)

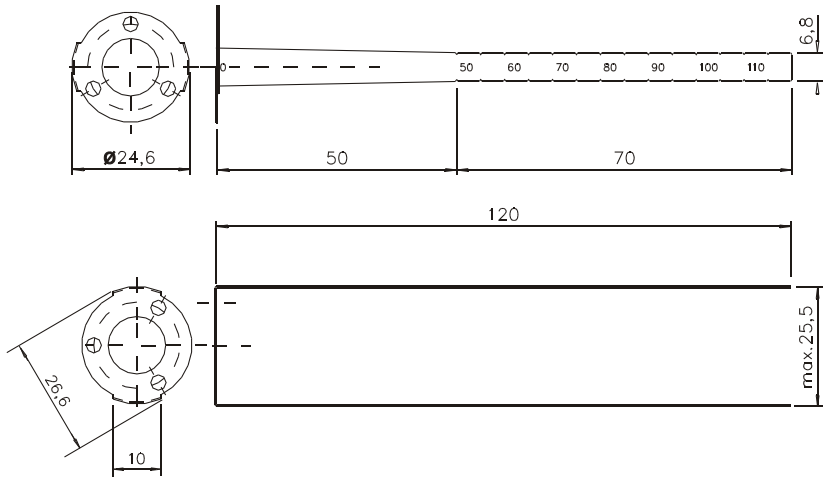
Spring for encoder type 2RM

Spring with click-in-stop. Click on a pin on motor or unit.

Material: 0,25 mm AISI 301 (*Inox spring steel*)

Used for mounting the encoder inside holes; min. \varnothing 32

Part no: 80136448

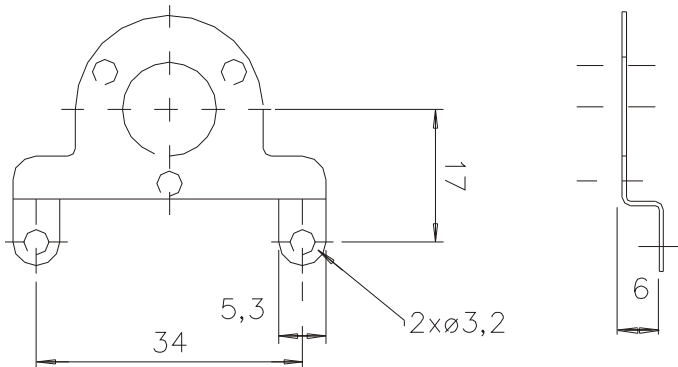


Spring for encoder type 2RM

Long strips for self-cutting or
adjustabel system

Material: 0,25 mm AISI 301
(*Inox spring steel*)

Part no: 80146743

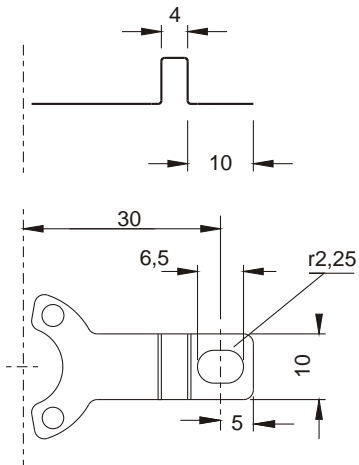


Spring for encoder type 2RM

Material: 0,25 mm AISI 301
(*Inox spring steel*)

(Screws for mounting spring on encoder included)

Part no: 80147434

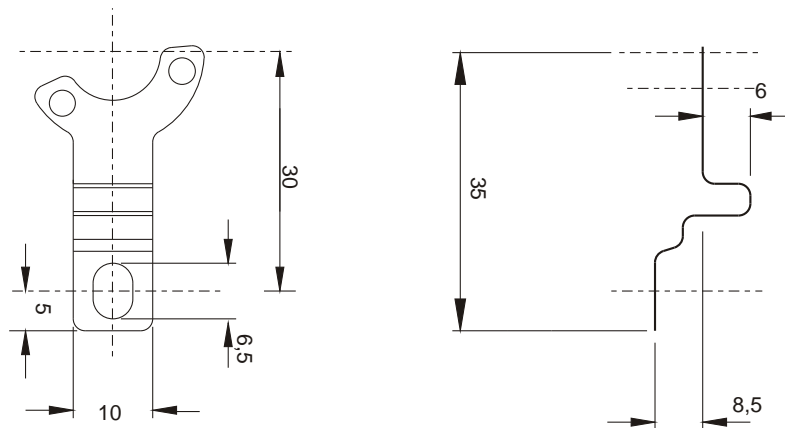


Spring for encoder type 2RM

Material: 0,2 mm AISI 301
(*Inox spring steel*)

(Screws for mounting spring on encoder included)

Part no.: 80149290

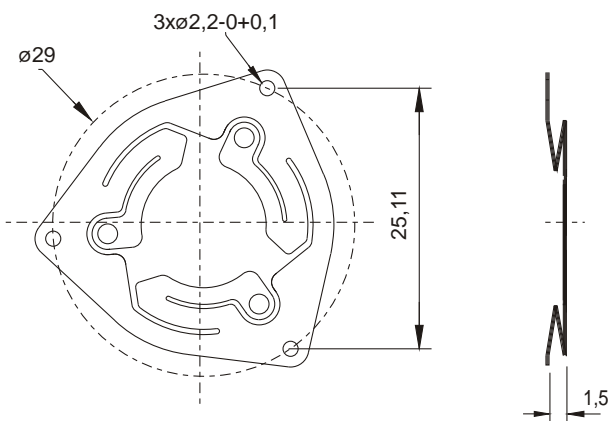


Spring for encoder type 2RM

Material: 0,2 mm AISI 301
(Inox spring steel)

(Screws for mounting spring on encoder included)

Part no.: 80149082



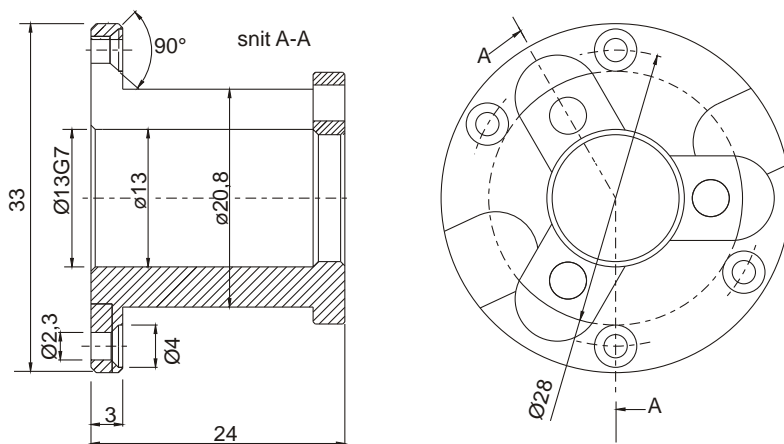
Spring for encoder type 2RM

TORSIONALLY STIFF SPRING COUPLING
MAX. MOVEMENT AXIAL $\pm 0,25$
MAX. MOVEMENT RADIAL $\pm 0,05$

Material: 0,2 mm AISI 301
(Inox spring steel)

(Screws for mounting spring on encoder included)

Part no.: 80139475



Adaptor for motor (long):

Maxon. Option: Preloaded
-RE 35

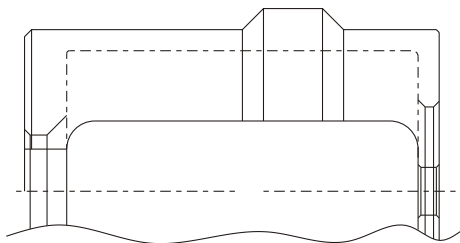
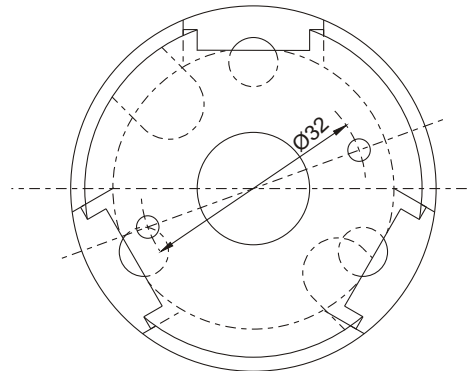
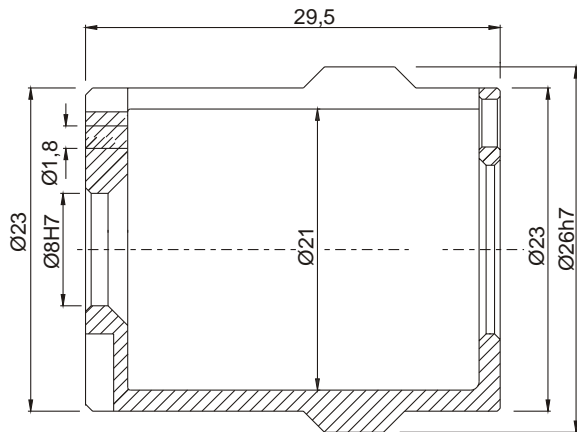
Fits with encoder type 2RM

Material: Brass, Weight = 35gr.

Flex-coupling needed

(Screws for mounting plate on encoder included)

Part no.: 80139461



(Screws for mounting plate on encoder included)

Adaptor for motor (long):

Maxon. Option: preloaded

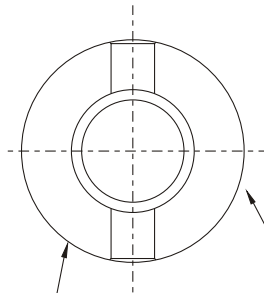
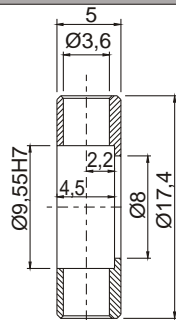
-S 2322

Fits with encoder type 2RM

Material: Brass. Weight = 22 gr.

Flex-coupling needed

Assembly sketch for number 80139461



Weight with: Motor, encoder, flange + coupling approx. 165gr.

Option: Fly- wheel for more wight and optain stability

Maxon Motor S 2322

Flex-coupling

Encoder 2RM

Option: Preloading

Adaptor no. 80139461

Flat-cabel out

