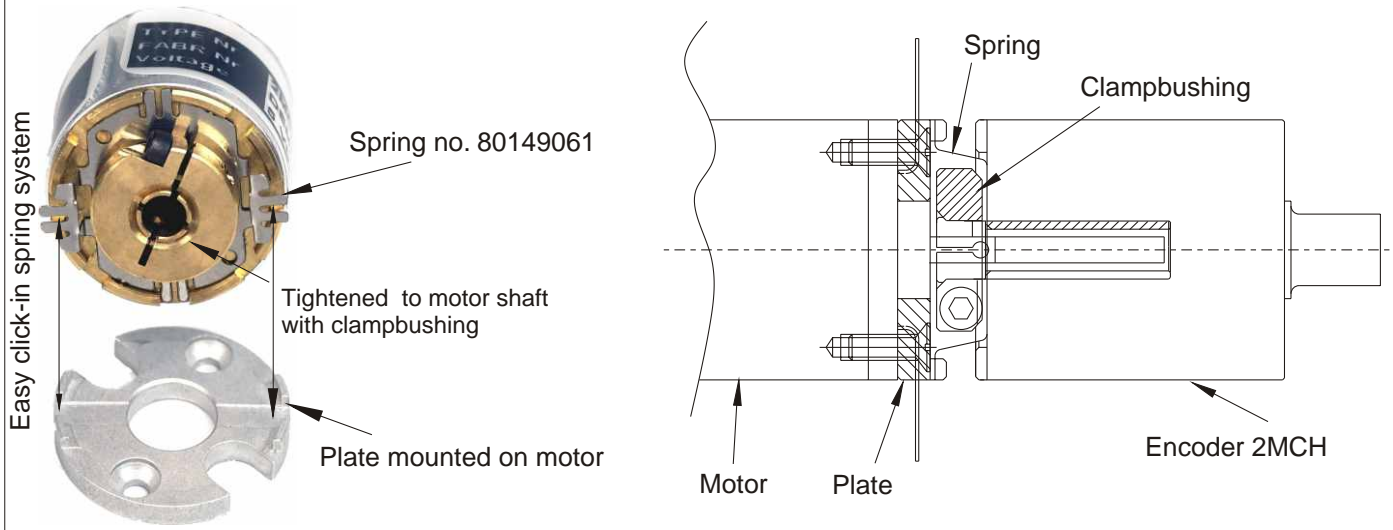
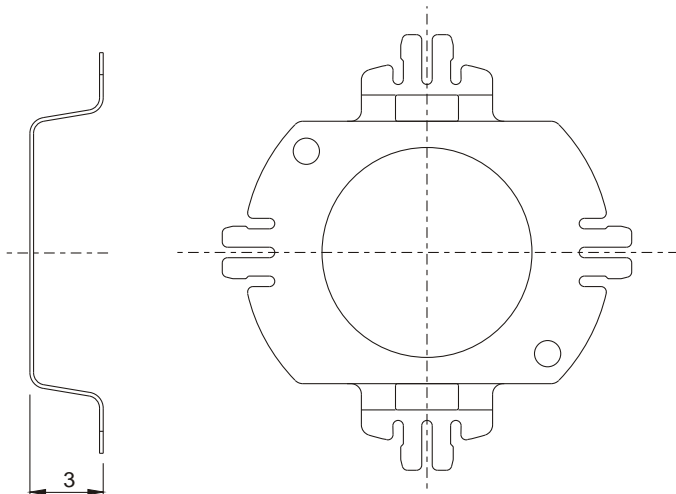


Encoder type 2MCH, EXAMPLE



Part no: 80149061



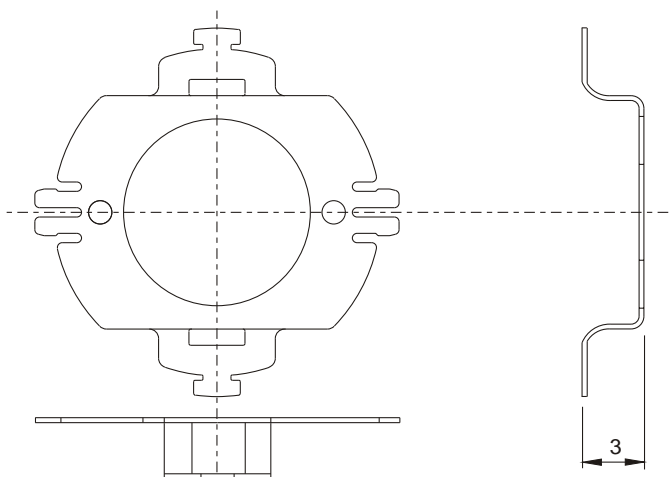
Spring for encoder type 2MCH

Spring, fits on plate no.:

- 80138060
- 80139430
- 80139504
- 80139055
- 80139230
- 80139521
- 80139835
- 80139857
- 80139287

Torsionally stiff spring coupling
max. movement axial= $\pm 0,1$
max. movement radial= $\pm 0,05$

Part no: 80148050



Spring for encoder type 2MCH

Spring, fits on plate no.:

- 80138060

Torsionally stiff spring coupling
max. movement axial= $\pm 0,1$
max. movement radial= $\pm 0,05$

Part no: 80139504

Snit A-A

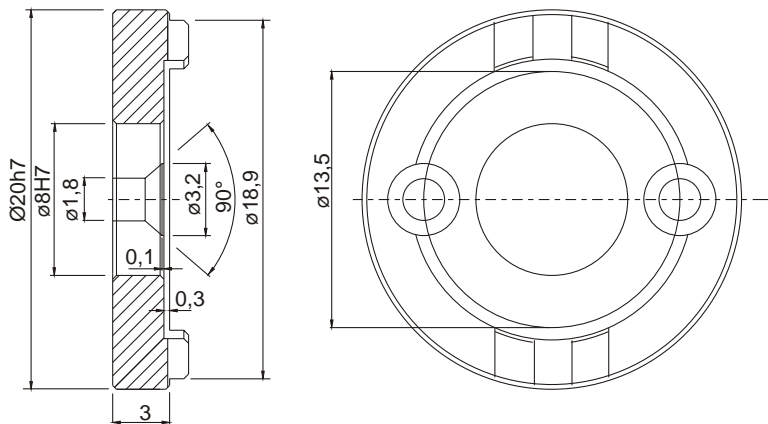


Plate for motor:

Maxon
-EC 22 BL Y

Fits with encoder 2MCH

With clambushing
Use spring no. 80149061

Part no: 80139055

Snit A-A

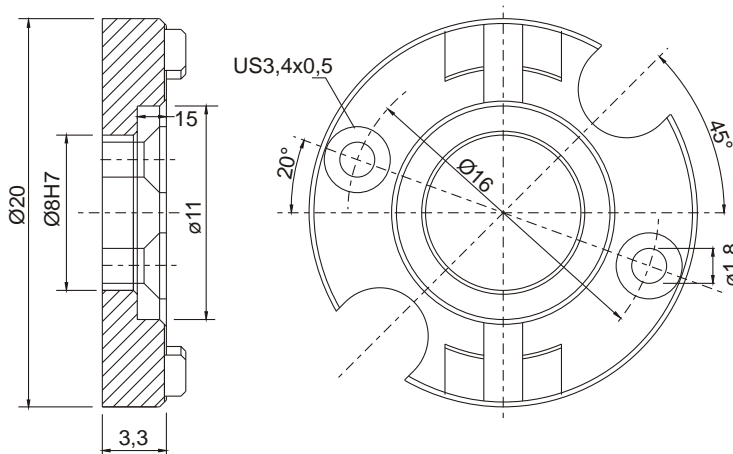


Plate for motor:

Maxon
-Amax 22 -RE025
-Amax 26 -F 2130
-REmax 24 -F 2140
-REmax 21 -S 2322

Fits with encoder 2MCH

With clambushing
Use spring no. 80149061

Part no: 80139230

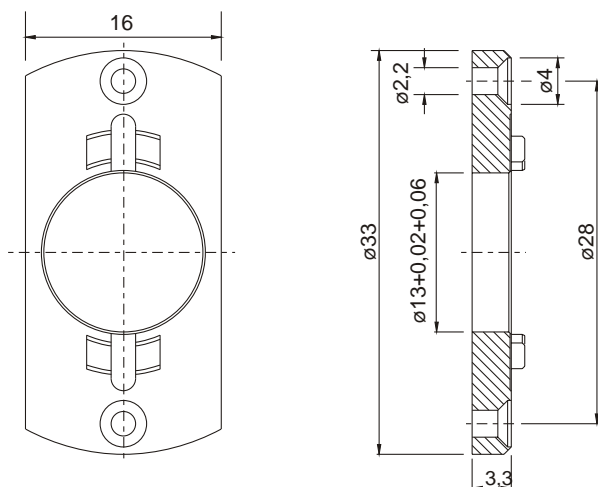


Plate for motor:

Maxon
-RE 35

Fits with encoder 2MCH

With clambushing
Use spring no. 80149061

Part no: 80139521

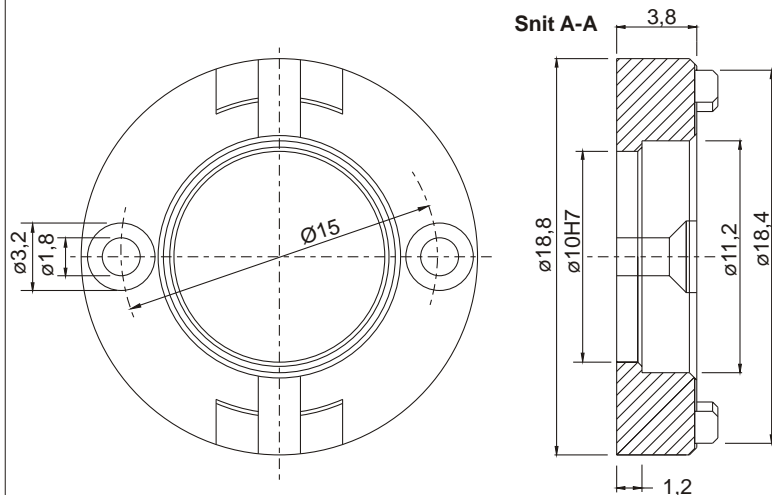


Plate for motor:

Maxon
-S 2326

Fits with encoder 2MCH
With clambushing
Use spring no. 80149061

Part no: 80139835

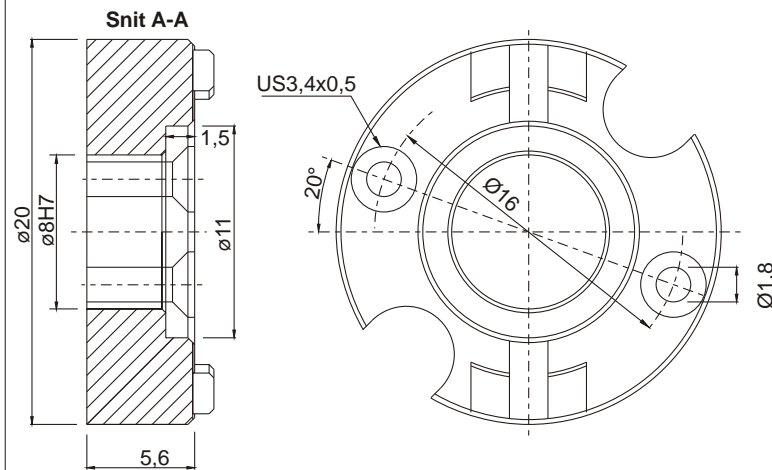


Plate for motor:

Maxon. Option: Preloaded

-Amax 22	-F 2190
-Amax 26	-S 2322
-Amax 29	-REmax 29
-F 2130	-RE 025

Fits with encoder 2MCH
With clambushing
Use spring no. 80149061

Part no: 80139857

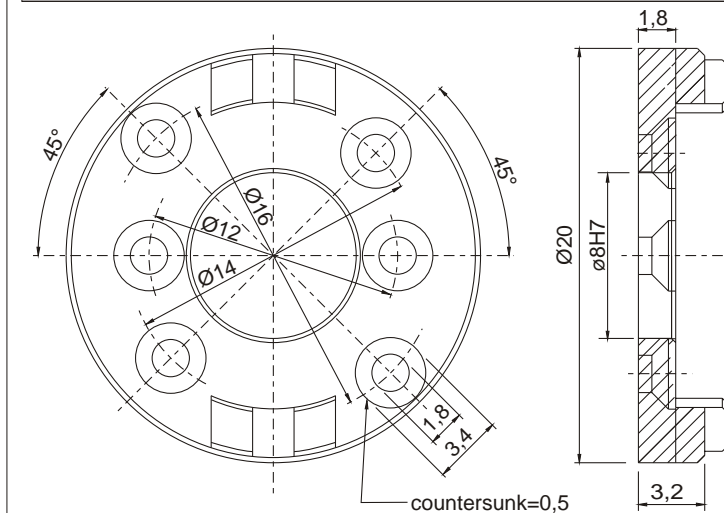


Plate for motor:

Maxon

-REmax 17	-Amax 16
-REmax 21	-Amax 19
-REmax 24	-Amax 22
-REmax 29	-Amax 26

Fits with encoder 2MCH-GLUE-ON
Only type 2MCH-GLUE-ON
(No clambushing)
Use spring no. 80149259

Part no: 80139287

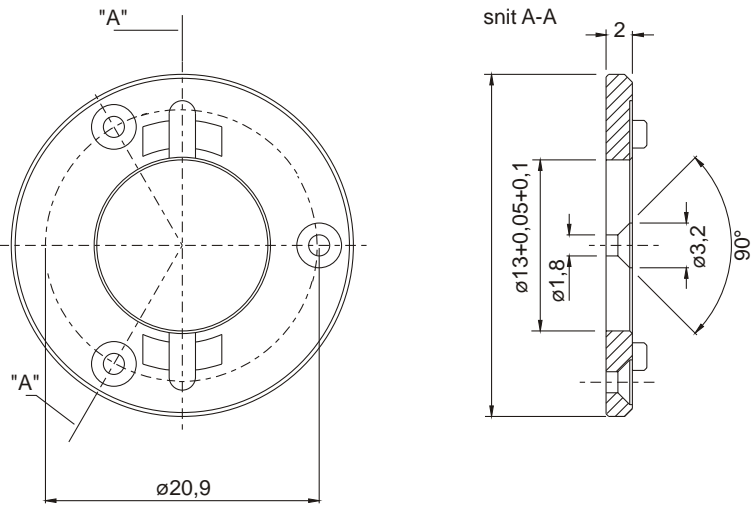


Plate for motor:

- Maxon
- EC 32
- Litton SAM

Fits with encoder 2MCH
With clambushing
Use spring no. 80149061

Part no.: 80139106

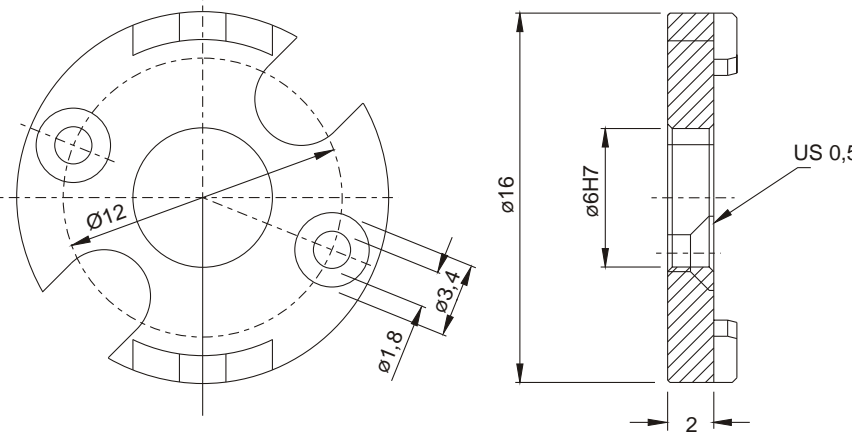


Plate for motor

- Maxon
- Amax 16

Fits with encoder 2MCH
With clambushing
Use spring number 80149061

Part no: 80139430

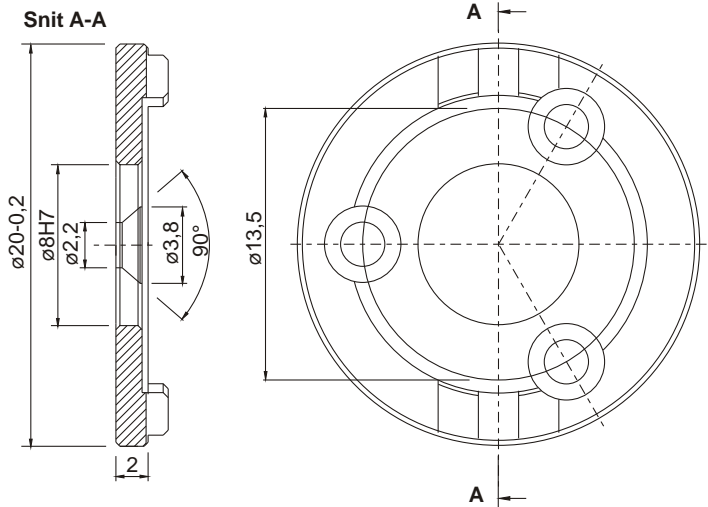


Plate for motor:

- Maxon
- EC 20 BL

Fits with encoder 2MCH
With clambushing
Use spring no. 80149061

Part no: 80138060

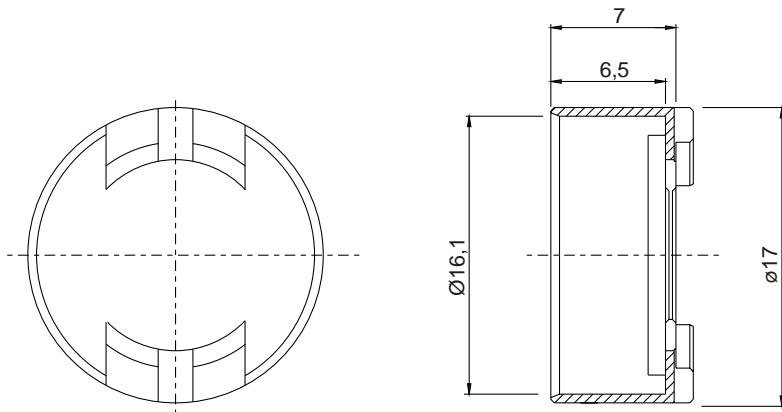


Plate for motor:

Faulhaber

-1624 E Mini SA
CH - 6980 croglio

Fits with encoder 2MCH

With clambushing

Use spring no. 80149061
or spring no. 80148050

Part no: 80130079

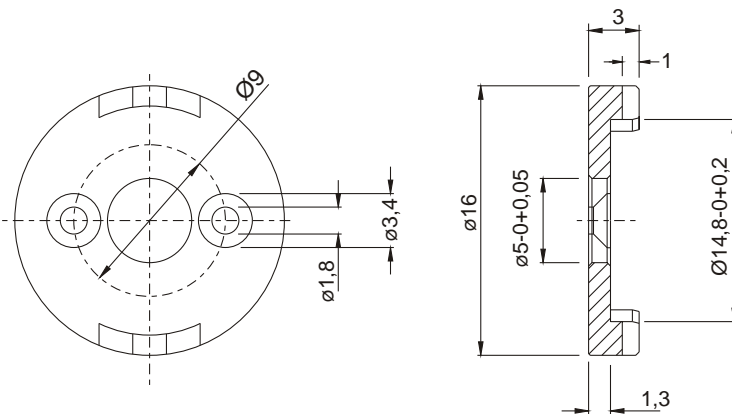


Plate for motor:

Maxon

- RE 13
- RE 16

Fits with encoder 2MCH

With clambushing

Use spring no. 80149061
or spring no. 80148050

