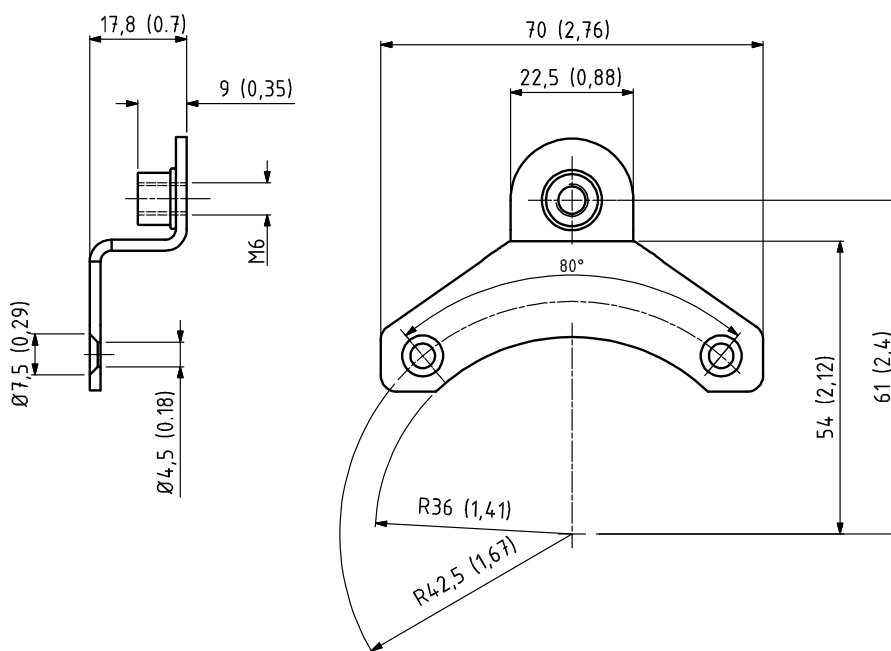


Type SCH94

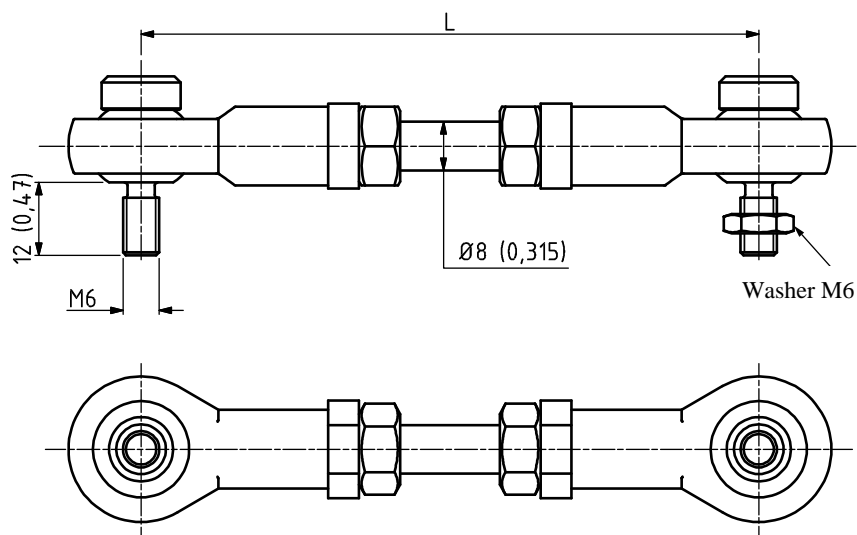
Accessories - Mounting Plate



Mounting Plate for Torque Arm

Part # 80131951

Accessories – Torque Arms



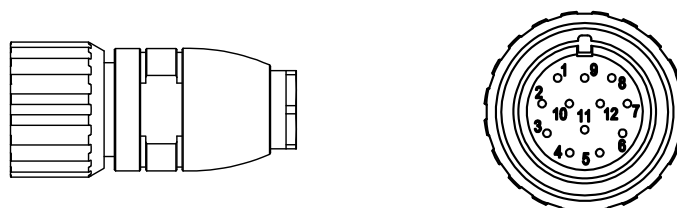
Torque Arm Length (L)

L	Part #
172 (6,8)	80131523
200 (7,9)	80131694
250 (9,8)	80131699
290 (11,4)	80131884

measurements: mm (inches)

Torque Arm Options for Mounting Plate

Accessories – Connector



M23 Female Mating Connector 12-pin

Part #06811113